

Cila

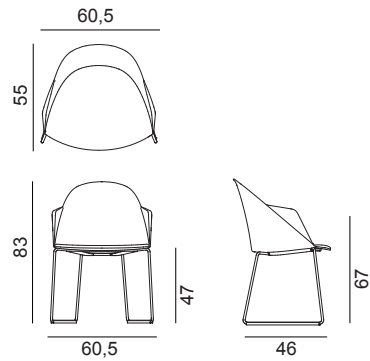
Design by Lievore Altherr, 2018

Art. 2228

Armchair on sled base in chromed or powder-coated steel. Shell fully upholstered in fabric, leather, coated fabric, or customer's material. Optional glides with felt for wooden floors are available upon request.



Dimensions *



* File CAD 2D - 3D available for download at www.arper.com

Frame Base



Shell

arper

www.arper.com


info@arper.com


Cila

Design by Lievore Altherr, 2018

SHIPMENT DETAILS

Art.2228

1 pz = 2  - kg 14,2/ m³ 0,398

4 pz = 2  - kg 43,34/ m³ 0,564

RESISTANCE TEST

- TUV GS (EN16139)

ENVIRONMENTAL CERTIFICATIONS



TECHNICAL SPECIFICATIONS

Art.2228

COL requirement m² 3.3

H 140 cm. COM Meterage m 1.47

*Classe 1, 2, 1IM: fire retardant version available with surcharge and eventual minimum batch

FIRE RETARDANT TEST

arper

www.arper.com
info@arper.com

www.arper.com